

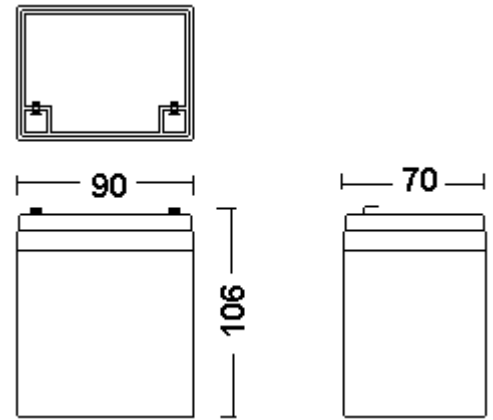
12V5HD

SEALED LEAD-ACID BATTERY

FOR HIGH RATE DISCHARGE

● SPECIFICATIONS

NOMINAL VOLTAGE	12V	
NOMINAL CAPACITY	5AH (20Hr Rate)	
DIMENSIONS (mm)	Length	90
	Width	70
	Height	101
	Ht/ Over Terminal	106
Weight (Approx)	1.65Kg	



● CAPACITY CHARACTERISTICS

CUT OFF VOLTAGE	20Hour Rate (0.25A)	5AH
1.75 v/c @25°C	10 Hour Rate (0.48A)	4.8AH
1.70v/c	5 Hour Rate(0.8A)	4AH
1.55v/c	1 Hour Rate(3A)	3AH
1.50v/c	15 Minute Rate(8.8A)	2.2AH

Charge Voltage (constant)		BLOC	PER CELL
	Float	13.5-13.8	2.25-2.30
	Cycle	14.7-15.0	2.45-2.50
Discharge Current (A)	5 seconds maximum		75
	maximum continuous		12

MAX. Charge Current	1.5A
Resistance (Full Charged)	27mΩ
Terminal Type	TAB
Self Discharge	9 Months @ 21°C

Constant Wattage Discharge (Watts Per Cell @ 25°C)

Cut off voltage V/Cell	TIME (Minutes)					
	5	10	15	30	45	60
1.75	35.5	23.5	16	10	7.1	6.3
1.67	36.5	24.5	16.5	10.5	7.3	6.5
1.6	38	25	17	11	7.5	6.5

